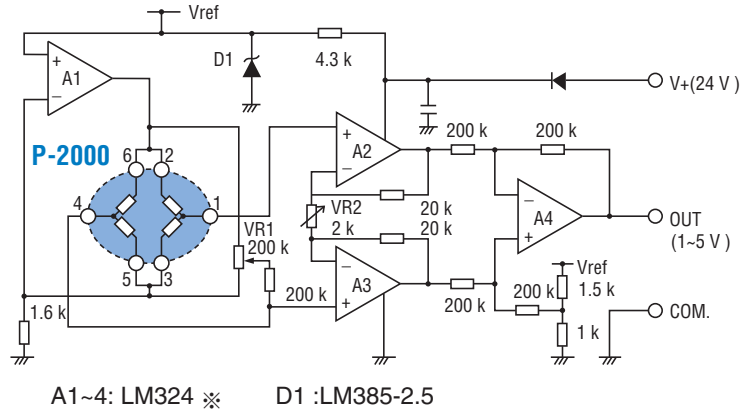


PRESSURE TRANSDUCERS RECOMMENDED EXTERNAL CIRCUIT

RECOMMENDED EXTERNAL CIRCUIT

● 1 ~ 5 V Output



※In case of being required the improvement of accuracy, high accuracy amp. such as LT1014 is recommended.

● 0 ~ 1 V Output

